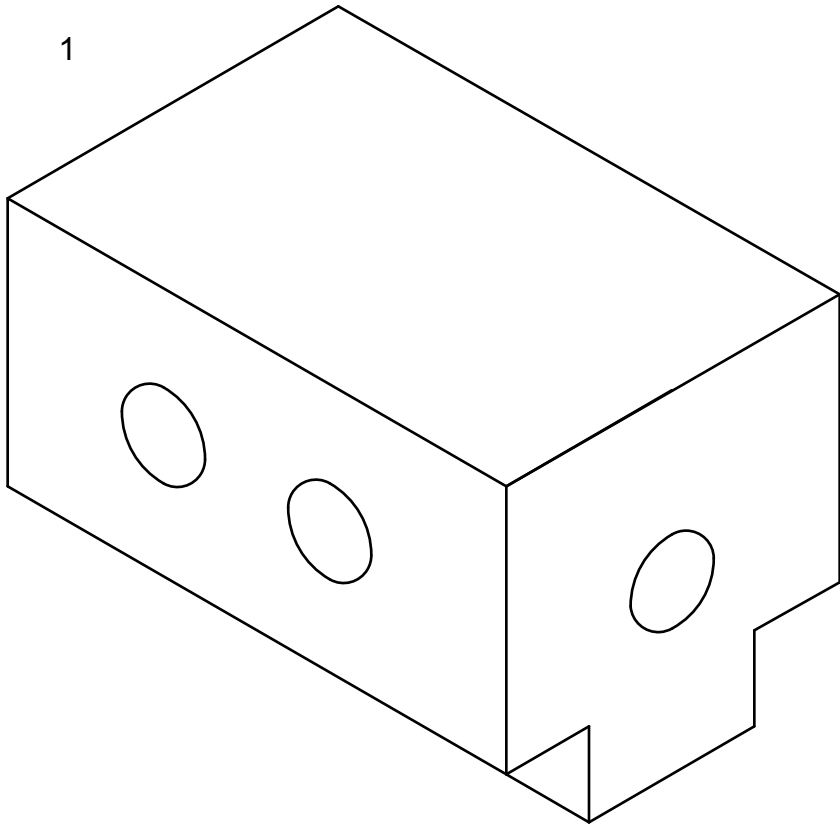
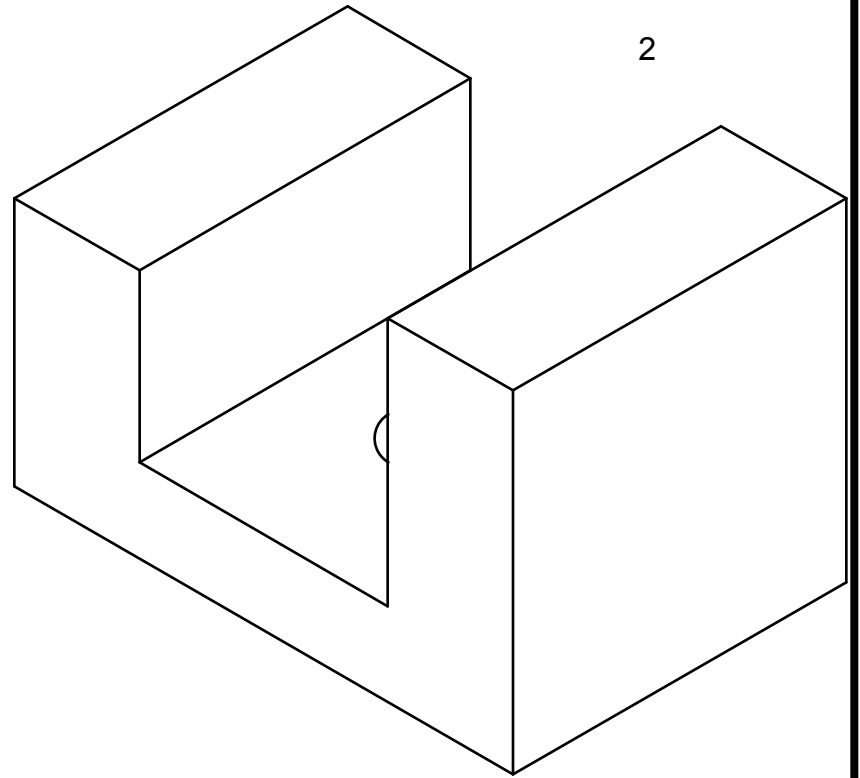


1



2



**STEVENSON HIGH SCHOOL**  
TECHNOLOGY EDUCATION DEPARTMENT  
TECHNICAL DRAWING PROGRAM

DRN BY: Anvesh Jalsutram

DATE: 11/7/11

SCALE: 1 to 1

1

1